

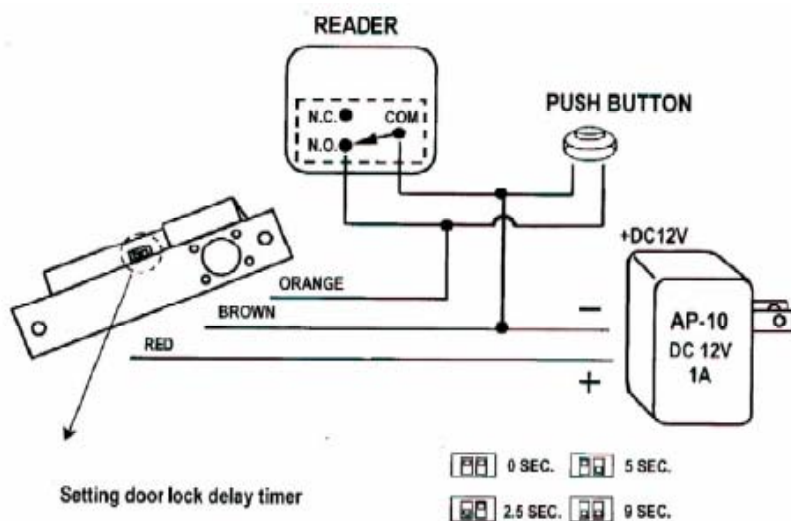
## Features

**eLock-B100** Electric Bolt locks offer a choice of mortice or surface installation application, allows remote access and exit control of wood, aluminium or steel, doors. Works with sliding, single-action, and double-action (swing-through) doors and gates.

## Specification

- Power Supply: DC 12V.
- Fail-safe type (Power to lock).
- Door sensor: N.C.
- Operation delay time: 0 sec., 2.5sec., 5sec., 9sec.  
Built-in delayed egress control point
- Operation current : 900mA, Holding current: 360mA
- Dimension :  
FACE PLATE : 200mm(L) x 32mm(W) x 40mm(D)  
STRIKE PLATE : 90mm(L) x 26mm(W) x 2mm(D)  
BOLT : 16mm(Throw) x 15.5mm(Diameter)

## User Guide



### Wiring connection :-

BROWN : GND

RED : + DC12V

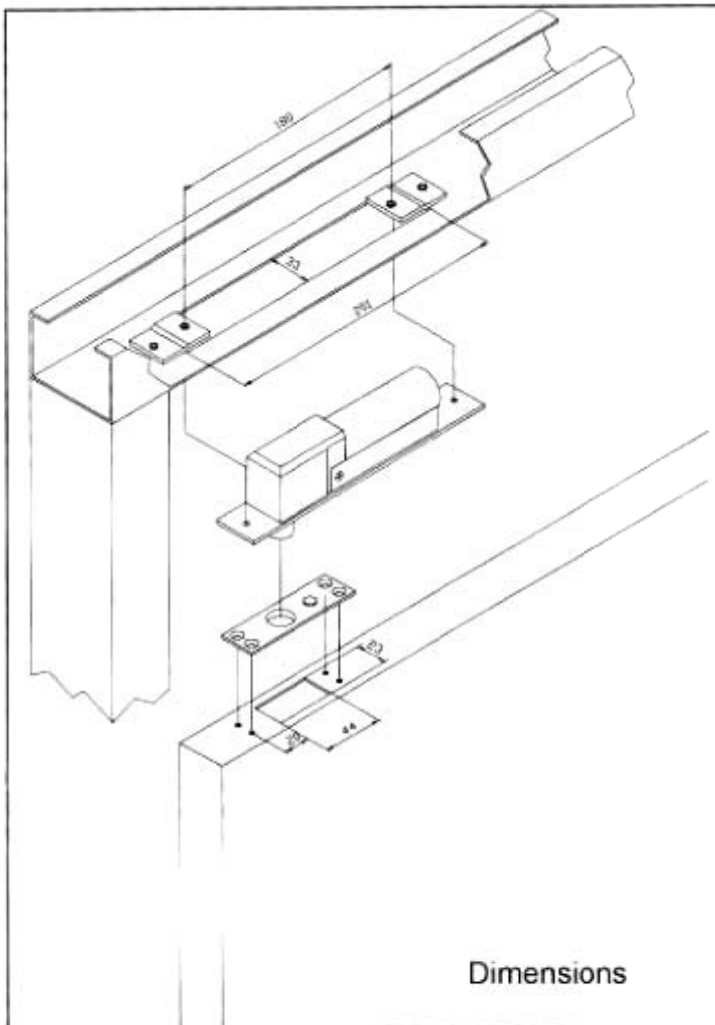
ORANGE : PUSH BUTTON

YELLOW : DOOR POSITION SENSOR(N.C.)

GREEN : DOOR POSITION SENSOR(COM.)

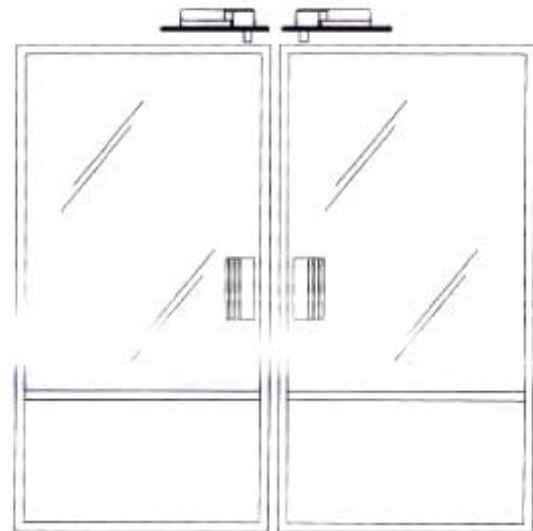
Blue : DOOR POSITION SENSOR(N.O.)

## Installation

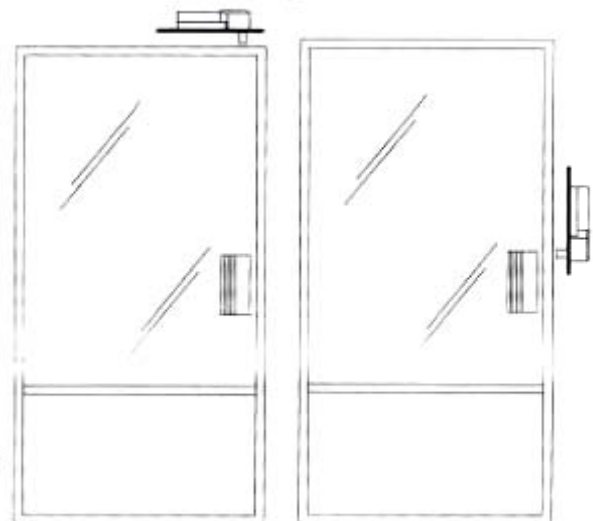


For vertical mounting, wires must come out the top of the unit

For double doors

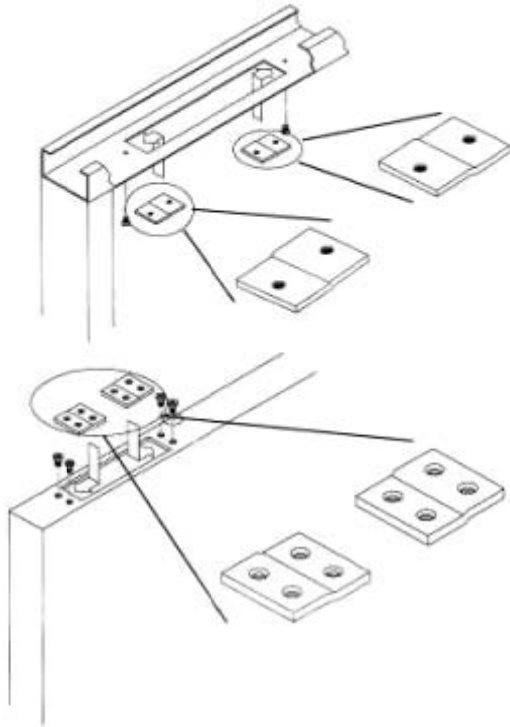


For single doors

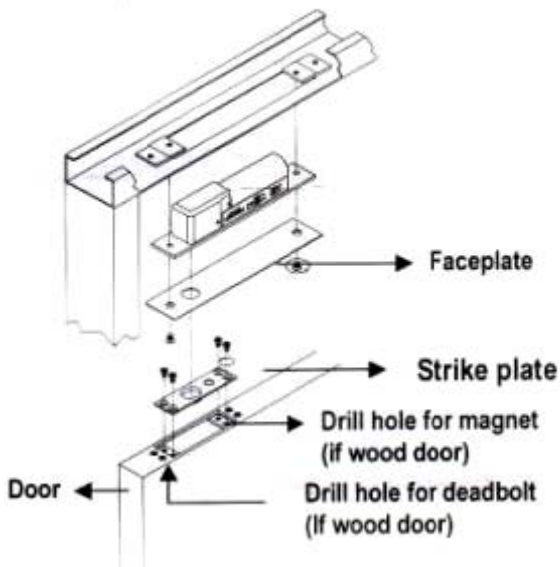
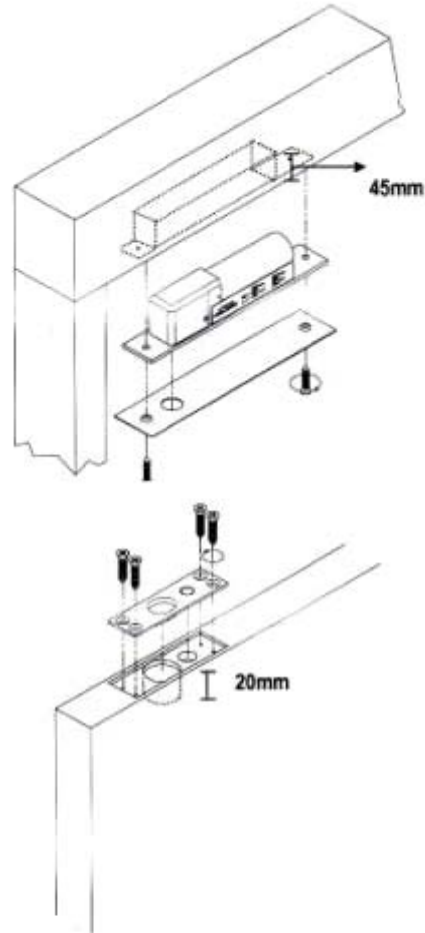


## Installation

For hollow metal doors:  
Please make sure the correct  
direction of the shims when mounted



For wood doors:



Innovative Electronic Solutions  
[www.ness.com.au](http://www.ness.com.au)



NSW Ph 02 8825 9222  
[sales@ness.com.au](mailto:sales@ness.com.au)

VIC Ph 03 9875 6400  
[nessmelb@ness.com.au](mailto:nessmelb@ness.com.au)

QLD Ph 07 3399 4910  
[nessbris@ness.com.au](mailto:nessbris@ness.com.au)

WA Ph 08 9328 2511  
[nessper@ness.com.au](mailto:nessper@ness.com.au)

SA Ph 08 8152 0000  
[adelaide@ness.com.au](mailto:adelaide@ness.com.au)